

P5F Fresnel Light (Track)

175W LED/ 12°- 55°



ORDERING GUIDE

CXP5F - - - - **PSP** -

Mode

CLR All Modes
EZ All EZ Modes
RGB RGB Mode Only
CCT Tunable CCT Mode Only
3200 Fixed 3200K
5600 Fixed 5600K

Finish

WH White
BK Black

Mount

TOX w/ O-type DMX Track Adapter
TEX w/ E-type DMX Track Adapter (Legacy product)

Power Supply & Control

PSP Power Supply w/ Pass-Through DMX

Plug/Connection

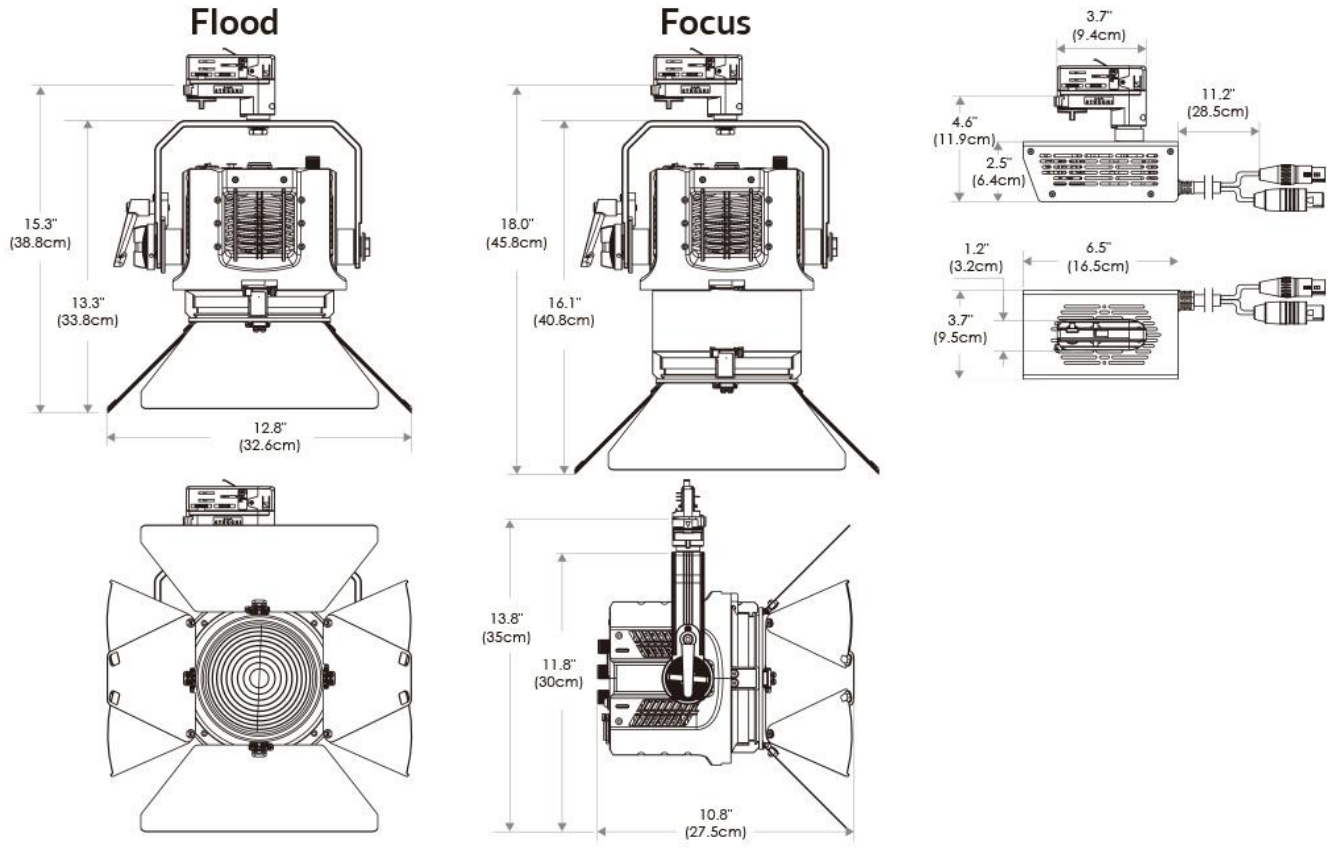
US US 120V
EU EU 220V

SPECIFICATIONS

Beam Angle	12°- 55°
CRI / TLCI	95/90 typical (in CCT Mode of 2800K-6500K)
Dimming	100% - 0% flicker free
Power Draw	175W max
AC Input	100 - 240V AC, 50 - 60Hz
Remote Control	DMX 512
Cooling	Fan Cooled
Operating Temp.	32 - 104°F (0 - 40°C)
Weight (Fixture + Power Supply)	8.9lb / 4.1kg

- Cine-Grade Light Quality
- Point-Source LED
- DMX Controllable
- 175W Power Draw
- Compact (< 12" of Vertical Space)

MECHANICAL FIGURES

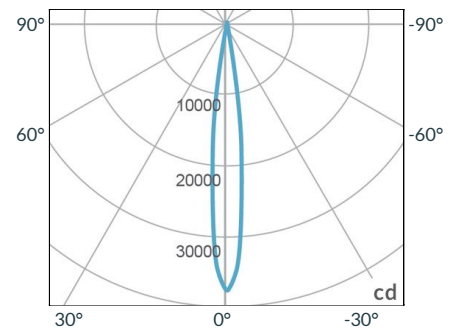


PHOTOMETRIC DATA

Focus

Distance		3' (~0.9 m)	10' (~3.0 m)	15' (~4.6 m)
@3200K	fc	3150	359	128
	lux	33907	3865	1378
@5600K	fc	3296	376	134
	lux	35478	4048	1443
Beam Diameter		Ø 0.7' (~0.2m)	Ø 2.1' (~0.6m)	Ø 3.5' (~1.1m)

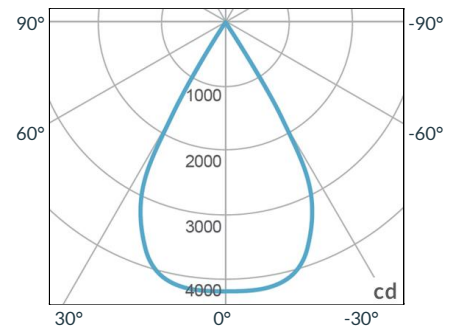
Beam Angle : 12°



Flood

Distance		3' (~0.9 m)	10' (~3.0 m)	15' (~4.6 m)
@3200K	fc	385	45	17
	lux	4145	485	183
@5600K	fc	406	47	18
	lux	4371	506	194
Beam Diameter		Ø 0.9' (~0.6m)	Ø 8.6' (~2.6m)	Ø 14.4' (~4.4m)

Beam Angle : 55°



MODE DESCRIPTION

Mode Description	Available Modes
- CLR	All Modes (8 bit and 16 bit)
- EZ	All EZ Modes (8 bit) (EZ CCT / EZ HSI / EZ RGBW / EZ RGB / EZ ICTHS / EZ ICT RGBW / EZ 3200K / EZ 5600K)
- RGB	EZ RGB (8 bit)
- CCT	EZ CCT (8 bit)
- 3200	EZ 3200K (8 bit)
- 5600	EZ 5600K (8 bit)

See Downloads portion of webpage for full DMX profiles